

IPv6 FUNDAMENTALS TRAINING COURSE



The "IPv6 Fundamentals Training Course" is a one-day in person course that tackles what IPv6 is and the need for IPv6 in today's networks. It also includes basic information on how to plan your deployment and addressing plans.

Goals

- Explain what IPv6 is and its format
- Identify the different types of IPv6 Addresses
- Learn about obtaining an IPv6 allocation, address space types, and registering them in the RIPE Database
- Explain the IPv6 protocol functions with a focus on the Neighbor Discovery Protocol and address auto-configuration
- Understand how best to plan an IPv6 deployment

Pre-Requisites

It is assumed you are familiar with common IP terminology and have practical knowledge of running an IP network.

Course Content

- Introduction
- IPv4?
- IPv6 Address Basics
- Getting it
 - *Exercise: Making Assignments*
- IPv6 Protocol Basics
 - *Exercise: Addressing Plan*
- IPv6 Packets
- Deploying
 - *Exercise: Configuring IPv6*
- Real life IPv6 Deployments
- Tips

- Training Material: <https://www.ripe.net/training-material>
- Feedback Survey: <https://www.ripe.net/feedback/bv6//>
- Contact us: learning@ripe.net
- Learning and Development Services: www.ripe.net/support/training

Training Material



RIPE NCC
RIPE NETWORK COORDINATION CENTRE

IPv6 Address Notation Exercise



In case multiple answers are possible, please circle all correct ones.

1. You have a /32 prefix starting with 2001:0db8. How do you search for it in the RIPE Database?

- A. 2001:0db8
- B. 2001:0db8/32
- C. 2001:0db8::/32
- D. 2001:db8::/32

2. How do you correctly compress the following IPv6 address:

2001:0db8:0000:0000:0000:0000:0c50

- A. 2001:0db8:0:0:0:0:0c50
- B. 2001:0db8::0c50
- C. 2001:db8::c50
- D. 2001:db8::c5

3. How do you correctly compress the following IPv6 address:

2001:0db8:0000:0000:b450:0000:0000:00b4

- A. 2001:db8::b450::b4
- B. 2001:db8::b450:0:0:b4
- C. 2001:db8::b45:0000:0000:b4
- D. 2001:db8:0:0:b450::b4

4. How do you correctly compress the following IPv6 address:

2001:0db8:00f0:0000:0000:03d0:0000:00ff

- A. 2001:0db8:00f0::3d0:0:00ff
- B. 2001:db8:f0:0:0:3d0:0:ff
- C. 2001:db8:f0::3d0:0:ff
- D. 2001:0db8:0f0:0:0:3d0:0:0ff

5. How do you correctly compress the following IPv6 address:

2001:0db8:0f3c:00d7:7dab:03d0:0000:00ff

- A. 2001:db8:f3c:d7:7dab:3d:0:ff
- B. 2001:db8:f3c:d7:7dab:3d0:0:ff
- C. 2001:db8:f3c:d7:7dab:3d0::ff
- D. 2001:0db8:0f3c:00d7:7dab:03d::00ff

6. How do you access your IPv6 webserver at 2001:db8::8080 on port 8080 using a web browser?

- A. https://2001:db8::8080:8080
- B. https://2001:0db8:0000:0000:0000:0000:0000:8080:8080
- C. https://[2001:db8::8080]:8080
- D. You cannot use the IPv6 address, you have to rely on DNS

Making Assignments



The goal of this exercise is to practice the assignment process. The work is done in groups so that you can learn from each other. Your group's task is to make an IPv6 assignment and register the assignment in the RIPE Database.

Assumptions

You work for the LIR nl.ripenc-ns.

Your LIR has a /32 allocation: 2001:db8::/32

You are working together with a start-up company called Future Casa on a project called "Smart Home 6".

Future Casa wants to use IPv6 address space from your registry.

You will announce the space aggregated in your allocation.

Future Casa will use LTE (4G) to connect each home and all the homes are in the same network. Each home gets an IPv6 block from a pool when the base unit is connected.

Product Description

The "Smart Home 6" project is an ambitious one. Each home will be equipped with a base unit that connects wirelessly to the nearest 4G access point. No cables are required! The base unit will serve as a central hub for a variety of different devices that can be connected and controlled from an app on your smartphone or computer. Most of the devices will also have manual controls on them.

The devices that can be connected are supported by the services provided within the "Smart Home 6" framework.



These services include:

- controlling the house lights
- monitoring window and door activity
- a closed-circuit webcam monitoring system
- temperature meters that can interact with the room heating devices
- controlling and monitoring several household appliances, like the refrigerator
- VoIP communication devices to make phone calls from any room
- a home wifi router to connect your computers and other Internet devices
- a wifi guestnet for visitors

At any moment, a customer can subscribe (or unsubscribe) to any of the smart home services that are offered. The base unit will automatically configure a subnet for the new service, depending on the QoS and security settings defined by the vendor and the user.

New services and devices are being developed and will be automatically supported by the Smart Home 6 base unit in the near future.

Phase 1

For phase 1, Future Casa wants to connect 4000 Smart Homes.

Collect Information

- Read the product description and options, and ask questions to the product manager from Future Casa to determine the size of the assignment per smart home
- Consider the IPv6 prefix size per smart home

What is the total amount of address space you will need to connect all the smart homes?

How would you register the address space in the RIPE Database?

Phase 2

If this project is a success, in the foreseeable future Future Casa wants to connect one million smart homes. This is Phase 2 of the project.

What is the total amount of address space you will need to connect all the smart homes?

How would you register the address space in the RIPE Database?



Making Assignments - Phase 1

inet6num:	
netname:	
descr:	
country:	
admin-c:	FC1356-RIPE
tech-c:	LC6420-RIPE
status:	
assignment-size:	
mnt-by:	LIR-MNT
created:	(generated by RIPE DB)
last-modified:	(generated by RIPE DB)
source:	RIPE

Making Assignments - Phase 2

inet6num:	
netname:	
descr:	
country:	
admin-c:	FC1356-RIPE
tech-c:	LC6420-RIPE
status:	
assignment-size:	
mnt-by:	LIR-MNT
created:	(generated by RIPE DB)
last-modified:	(generated by RIPE DB)
source:	RIPE

Addressing Plan Exercise

You are a small colocation and broadband provider and you are an LIR. You received a /32 allocation:
2001:db8::/32

You currently have 2 Point-to-Point customers and 500 colocation customers. 250 colocation customers are connected on each switch. Also, on your own infrastructure you provide e-mail, www, proxy, usenet, VoIP and DNS services to them in a 'software as a service' structure.

Step 1: Assign the /48 per POP

Step 2: Decide the size of the assignments per device

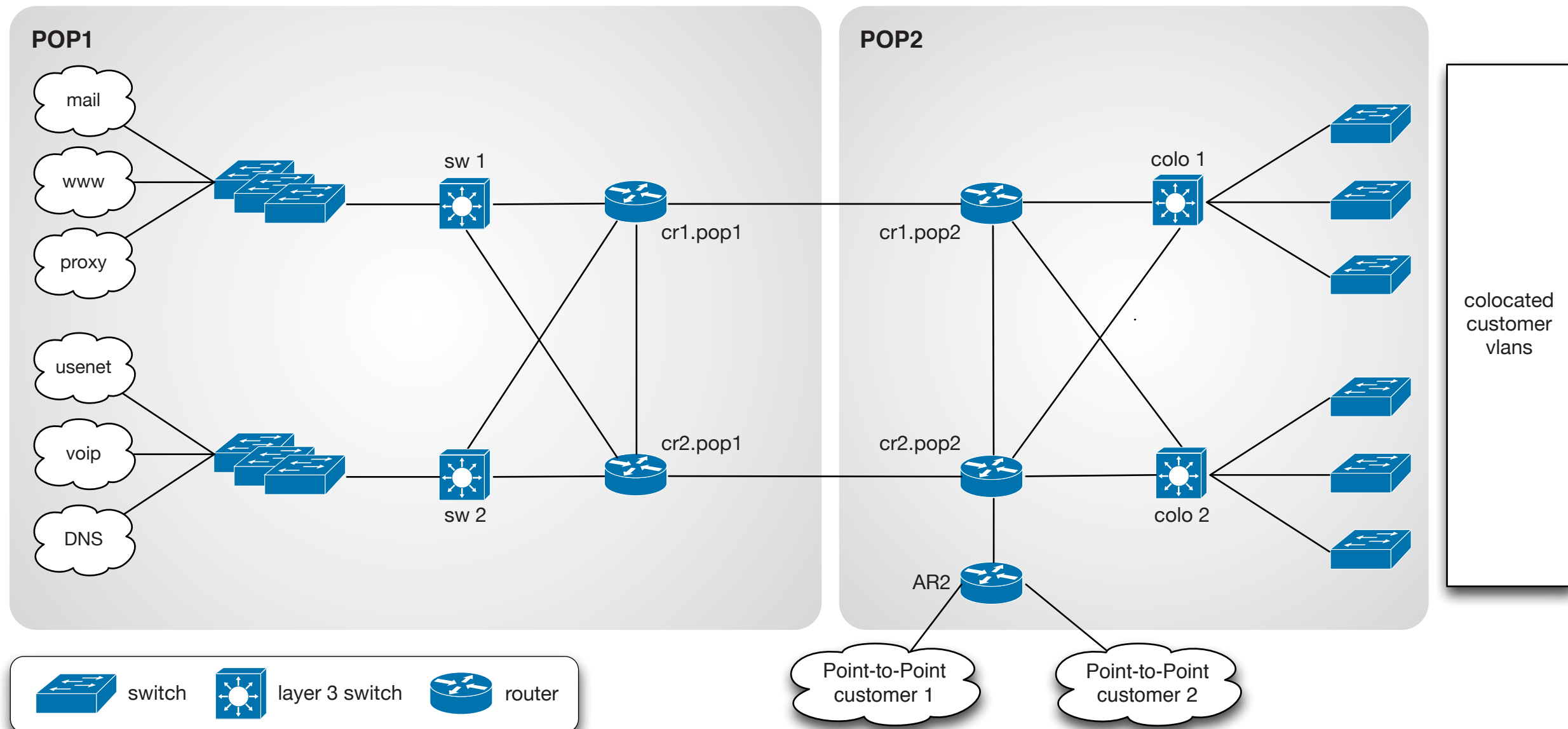
Step 3: Decide the size of the customer assignments

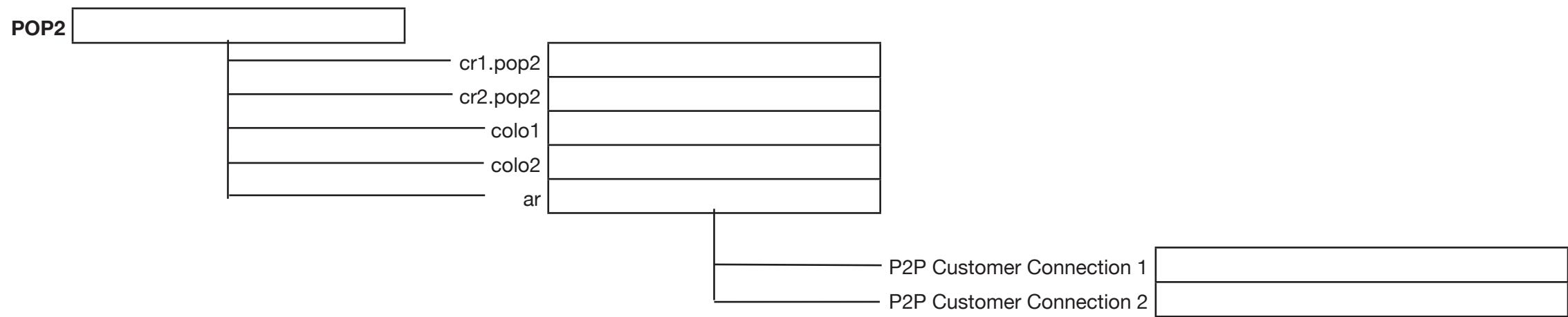
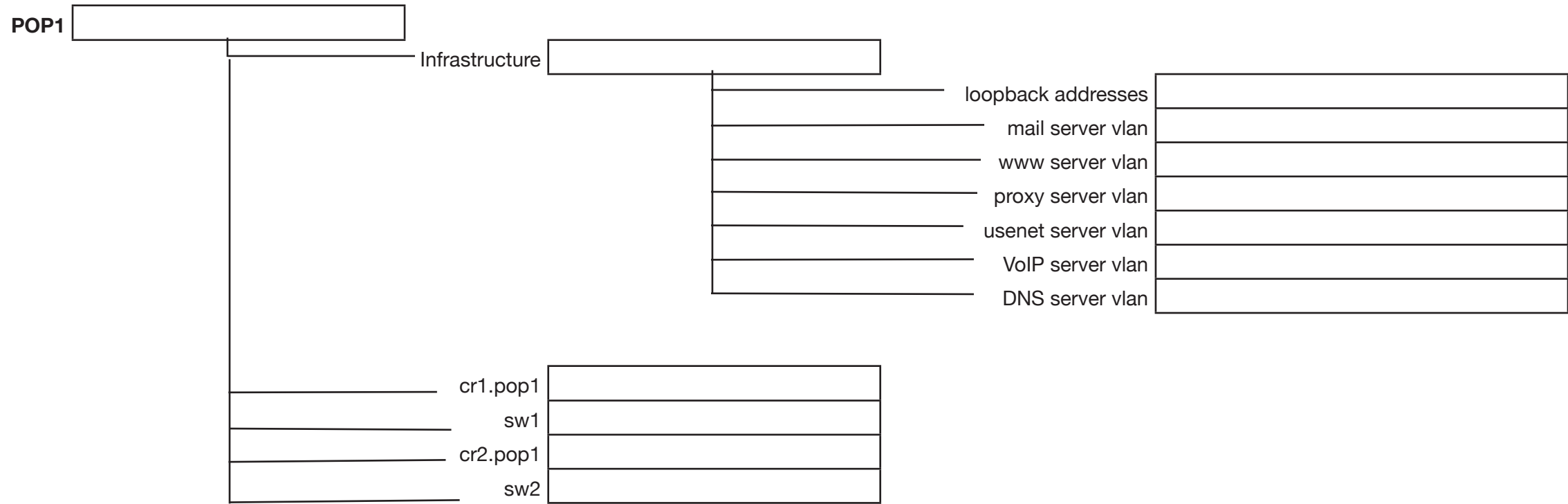
Step 4: Fill in the addressing plan accordingly

Some things to consider:

- The most important goal with IPv6 is aggregation.
- You can assign a /48 per POP without sending a request to the RIPE NCC.
- For your most important connections/equipment, use the easiest to remember addresses. (loop-backs etc.)
- For administrative ease (DNS and your mind), it is recommended you assign on 4-bit boundary

Prefix	Number of /64 subnets
/48	65.536
/52	4096
/56	256
/60	16
/64	1





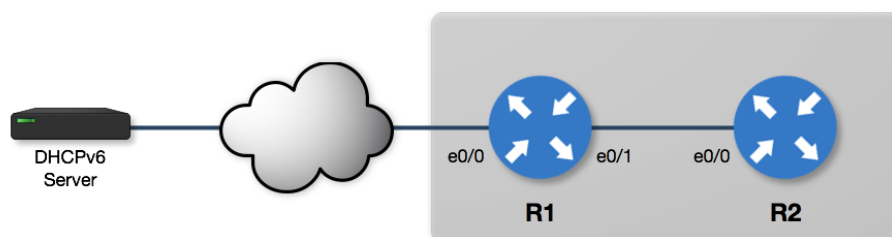
Customer Assignments	
	Colocation Customers (500)
	P2P Customer 1 Subnet
	P2P Customer 2 Subnet

Configuring IPv6: Router Advertisements



In this exercise, you will configure a router to send Router Advertisements to a client for three different cases:

1. Provide an online prefix for SLAAC – No DHCPv6
2. Provide an online prefix for SLAAC – Use the 'O' flag to get 'Other configuration' from a DHCPv6 server
3. No online prefix – Use the 'M' flag to 'Manage the address configuration' and get an IPv6 address from the DHCPv6 server



Router roles

R1: Default gateway router / DHCPv6 Relay Agent

R2: Client device / SLAAC / DHCPv6 Client

Accessing the labs

1. Make sure you have connectivity
2. Go to <https://workbench.ripe.net>
3. Choose the lab 1 or lab 2 (ask the trainers)
4. Your login is your number on the participants list
5. The trainers will provide the password
6. Choose "**RA and DHCPv6**" from the menu
7. Verify that R2 has no addresses configured on the interfaces
8. See the configuration steps on the following page
9. Try out each different case: run the configuration command(s) first and then the troubleshooting commands to verify what happened.

Verify the interfaces on R2

UXX_R2# show ipv6 interface brief

Configuration Cheat Sheet

```
###  
# Enable Configuration Mode  
###
```

```
configure terminal
```

```
###  
# Enable IPv6 on both routers R1 and R2  
###
```

```
ipv6 unicast-routing  
ipv6 cef
```

```
###  
# Exit Configuration Mode  
###
```

```
end
```

Case 1

```
# Configure R1  
interface e0/1  
    ipv6 address 2001:ffxx:1::a/64
```

xx = number on participant list

```
# Configure R2  
interface e0/0  
    ipv6 address autoconfig default
```

```
# Verify R2  
show ipv6 interface e0/0  
show ipv6 route
```

Case 2

```
# Configure R1  
interface e0/1  
    ipv6 nd other-config-flag
```

```
# Configure R2  
interface e0/0  
    shutdown  
    no shutdown
```

```
# Verify R2  
show ipv6 interface e0/0  
show ip dns view  
show ipv6 dhcp interface e0/0
```

Case 3

```
# Configure R1  
interface e0/1  
    no ipv6 nd other-config-flag  
    ipv6 nd managed-config-flag
```

```
# Configure R2  
interface e0/0  
    shutdown  
    no ipv6 address autoconfig default  
    ipv6 address dhcp  
    ipv6 enable  
    ipv6 nd autoconfig default-route  
    no shutdown
```

```
# Verify R2
```

```
show ipv6 interface e0/0
```

```
show ipv6 dhcp interface e0/0
```

IPv6 Address Auto-configuration Timeline

